

EE10-T Series

HVAC Temperature Transmitter for Indoor Applications

EE10 room transmitters are the ideal solution for indoor applications such as HVAC in residential and official buildings.

The very stylish, functional housing makes possible easy installation and fast exchange of the sensing unit for service purposes.

The temperature output signal can be active or passive.

For on site display of the measured values the EE10 with active temperature output can be equipped with an easily readable display.



Typical Applications

building management for residential and office areas
 switching cabinets
 climate control in hotels and museums

Features

excellent price / performance ratio
 easiest installation
 modern design
 optional display

Technical Data

Measuring Quantities

Temperature (active output)

Analogue output 0...50°C (32...122°F)¹⁾

0-10 V

-1 mA < I_L < 1 mA

4-20 mA (two wires)

R_L < (U_v-10)/0.02 < 500 Ohm

Accuracy at 20°C (68°F)

±0.3°C (±0.54°F)

Temperature (passive output)

Type of T-Sensor

please see ordering guide

General Data

Voltage supply (U_v)

for 0 - 10 V

15 - 40 VDC or 24 VAC ±20%

for 4 - 20 mA

28V DC > U_v > 10 + 0.02 x R_L (R_L < 500 Ohm)

Current consumption

for DC supply:

typical 4 mA

for AC supply:

typical 15 mA_{eff}

Electrical connection

Screw terminals max. 1.5 mm² (AWG 16)

Housing / Protection class

PC / IP30

Display

only for EE10-Tx version: temperature

CE compatibility according

EN61326-1

FCC Part15 ClassB

EN61326-2-3

ICES-003 ClassB



Temperature ranges

Working temperature range:

-5...55°C (23...131°F)

Working temperature with display:

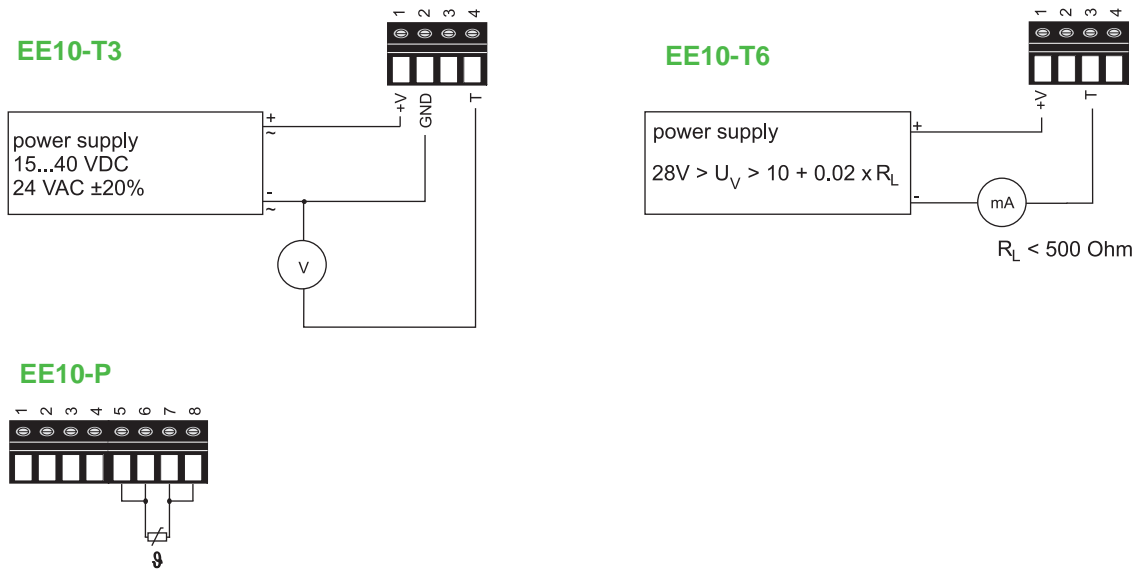
-5...55°C (23...121°F)

Storage temperature range:

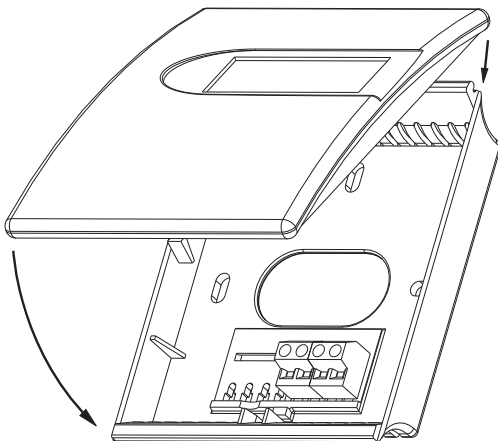
-25...60°C (-13...140°F)

1) Other T-scalins refer to page 11

Connection Diagram



Dimensions



W x H x D = 85 x 100 x 26 mm
 (3.3 x 3.9 x 1 inch)

Housing: PC
 Protection class: IP30

Housing colour: cover: RAL 9003 (signal white)
 back: RAL 7035 (light grey)

Ordering Guide

Order Example

MODEL	OUTPUT	DISPLAY	T-Unit	T-SCALE
temperature active (T)	0-10V (3)	without display (-)	°C (-)	0...50 (T04)
	4-20 mA (6)	with display (D04)	°F (E01)	-5...55 (T31)
				0...40 (T55)
				other (Txx)
EE10-				

MODEL	T-SENSOR
temperature passive (P)	Pt 100 DIN A (A)
	Pt 100 DIN B (B)
	Pt 1000 DIN A (C)
	Pt 1000 DIN B (D)
EE10-	

EE10-T6-D04-T04

Model: temperature transmitter
 Output: 4-20mA
 Display: with display
 T-Unit: °C
 T-scale: 0...50°C (32...122°F)